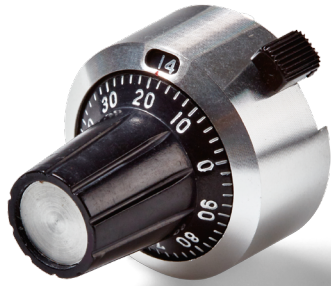


Data Sheet for Precision adjustment Knobs

Precision adjustment Knob with Locking mechanism and Cardan coupling

Series SKK



The knob SKK with 50 dashes and revolution counter (20 rev.) in Ø22 mm housing has a locking mechanism and a cardan coupling.

- Knob with 50 dashes
- Revolution counter for 20 revolutions
- With locking mechanism and cardan coupling
- For 3..6,35 mm shaft

The SKK series allows a very precise manual handling with up to 20 revolutions (50 dashes per revolution)..The lock prevents unintentional adjustments. The built-in cardan coupling prevents a possible stiffness of the knob, which can result with minimal misalignment.

Data adjustment knob

| | |
|--------------------------------------|---|
| Number of full revolutions | 20 |
| Counter range of the adjustment knob | Scale with numbers (50 dashes) and revolution counter (20 revs) |
| Brake available | yes |
| For shaft diameter | 3 mm / 3,175 mm / 4 mm / 6 mm / 6,35 mm |
| Housing diameter | 22 mm |
| Housing depth | 25 mm (with knob) |
| Knob diameter | Conical from 10 mm (front) to 12 mm (end) |
| Operating temperature range | -30..+60°C |
| Storage temperature range | -30..+60°C |
| Protection grade (IEC 60529) | IP40 |
| Colour housing | Silver |
| Colour adjustment knob | Black with white scale |
| Material knob/housing | Plastic and metal |
| Mass | ca. 17 g |
| Mounting parts included in delivery | Mounting adaptor, nut, hexagon socket wrench |

Order code

Description

Selection: standard=black/bold, possible options=grey/cursive

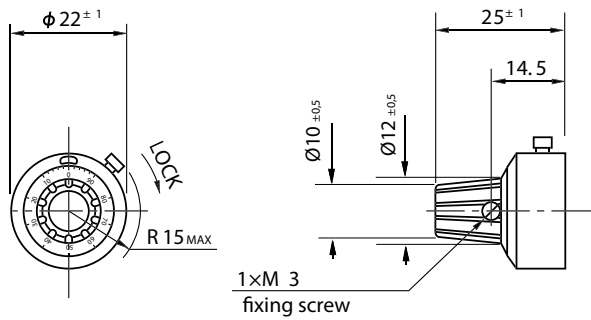
| Series | SKK | | | | |
|----------------------------|-----|----------------|--|--|--|
| For shaft diameter: | | | | | |
| Ø 6,00 | | 6 MM | | | |
| Ø 6,35 | | 1/4" | | | |
| <i>Option Ø 3</i> | | <i>3 MM</i> | | | |
| <i>Option Ø 3,175</i> | | <i>3,17 MM</i> | | | |
| <i>Option Ø 4</i> | | <i>4 MM</i> | | | |

Data Sheet for Precision adjustment Knobs

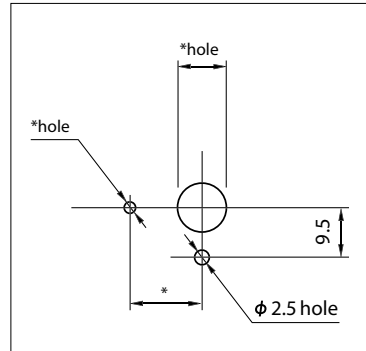
Precision adjustment Knob with Locking mechanism and Cardan coupling

Series SKK

Drawing

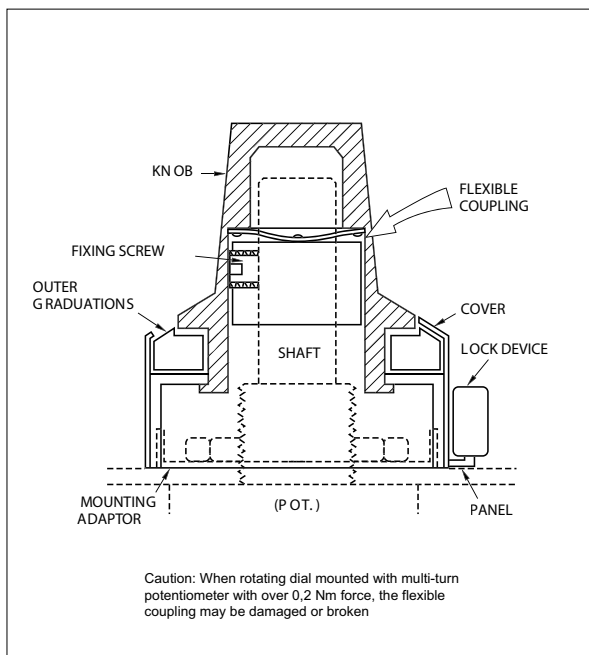


Panel Arrangements

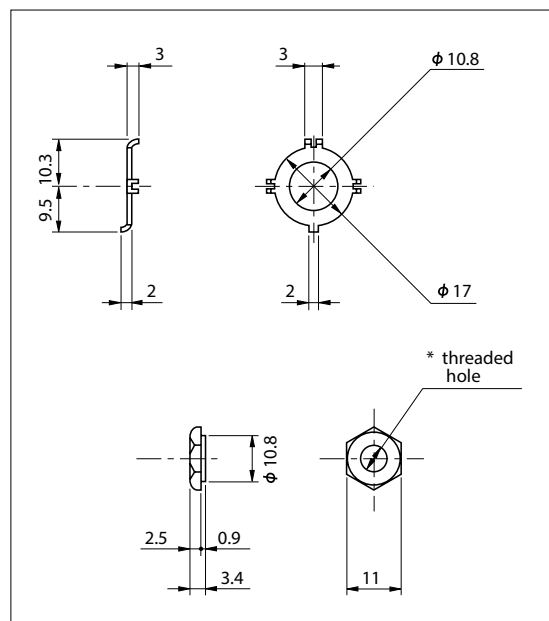


Note: The diameter of $* \text{hole}$ is depending on the diameter of potentiometer to be mounted

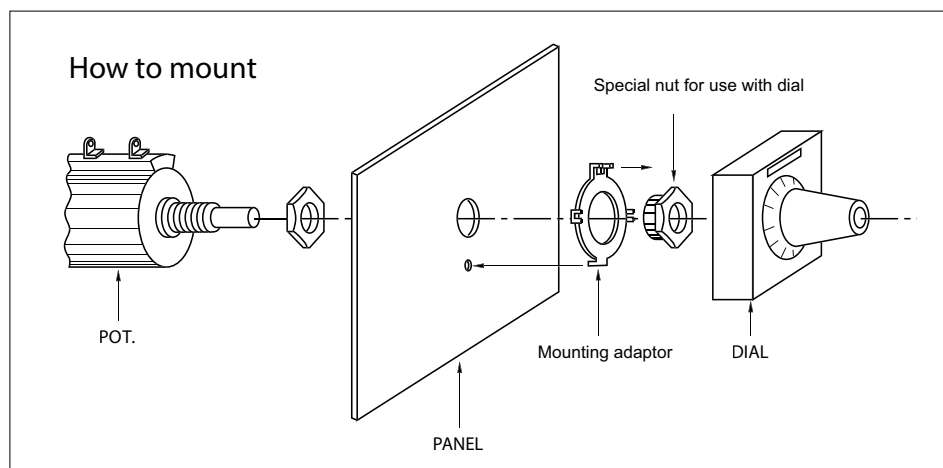
Flexible coupling



Mounting Adaptors



How to mount



Dimensions in mm