

Data Sheet for sensor accessories

Valve connector (with or without cable)

Series STV



Illustration similar

Valve connector according to DIN EN 175301-803 without cable (incl. sealing element) in IP65 and valve connector with cable 3 meters in IP67.

- 3 pol. + PE
- Angled
- IP65 without cable / IP67 with cable
- Not shielded

Electrical data	3 pole + PE	
	Without cable	With cable
Rated current (40 °C)	10 A	
Rated voltage	250 V	230 V
Rated impulse voltage	4000 V	
Volume resistivity	≤ 15 mΩ	
Insulation resistance	≥ 10 ¹⁰ Ω	
EMC compliance	not shielded	

General characteristics, materials	3 pole + PE	
	Without cable	With cable
Connector design	Size A female connector (panel mount)	Size A solenoid socket
Connector locking system	screw	
Termination	screw, clamp	moulded on cable
Wire gauge (mm)	min. 0,34 mm ² , max. 1,5 mm ²	0,75 mm ²
Wire gauge (AWG)	-	18
Cable outlet	6 .. 8 mm	-
Operational temperature	-30 °C..+120 °C	-25 °C..+85 °C
Protection grade (IEC60529)	IP65 (sealing element is included)	IP67
Mechanical operation	> 50 mating cycles	
Contact material	CuSn (bronze)	
Contact plating	Ni (nickel)	Sn (tin)
Contact body material	PA (UL 94 HB)	PA
Housing material	PA	PBT
Sheath material	-	PUR
Cable diameter	-	6 mm
Single-lead structure	-	4 x 0,75 mm ²

Data Sheet for sensor accessories

Valve connector (with or without cable)

Series STV

Order Code

Description	Selection: standard=black/bold, possible options=grey/cursive				
Series:	STV				
Connector angled: Without cable With cable 3 meters		E K3M			
Contact arrangement: 3 pole + PE			3POLPE		
Degree of protection: IP65 without cable IP67 with cable				IP65 IP67	
EMC compliance: Not shielded					NS

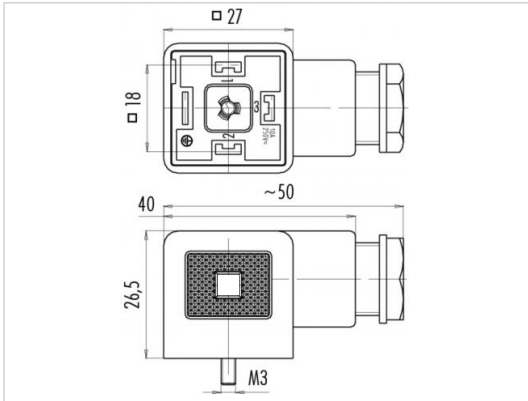
Data Sheet for sensor accessories

Valve connector (with or without cable)

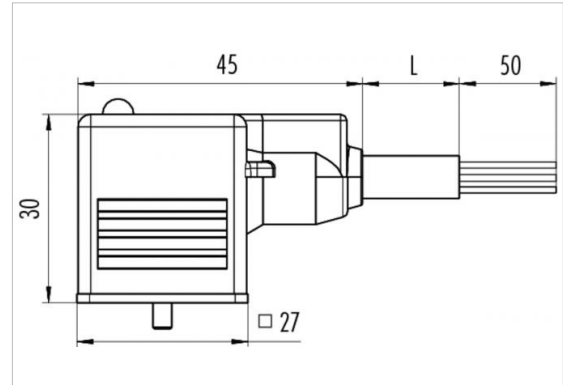
Series STV

Drawing

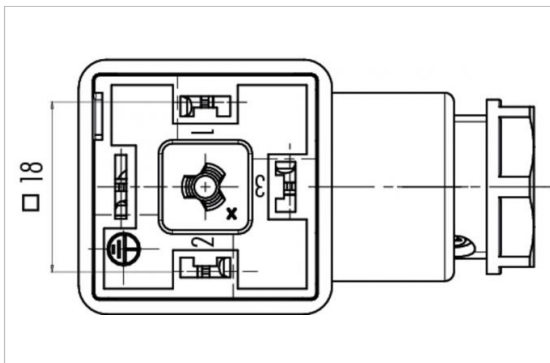
STV E 3POLPE IP65 NS



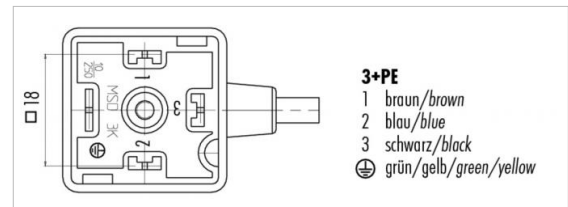
STV K3M 3POLPE IP67 NS



Contact arrangement 3 pole + PE without cable



Contact arrangement 3 pole + PE with cable



Sealing element for connector without cable

